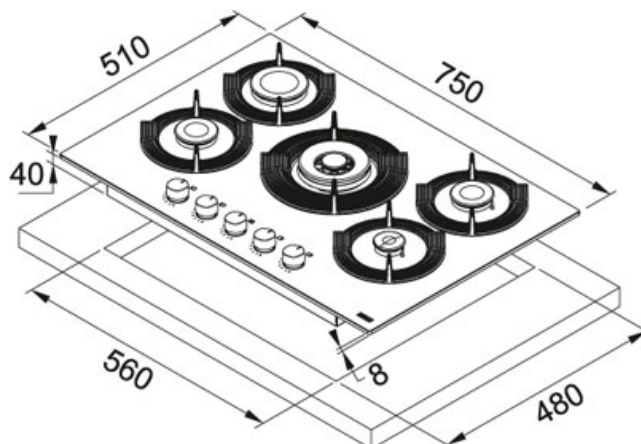


Sticla albă | 106.0541.753





FAMILY : Plite | SERIE : Maris Free by Dror | FINISH : Sticla albă | MODEL : FHMf 755 4G DC C WH | INSTALLATION TYPE : Incorporabil



DATE TEHNICE

Lungime	750,00 mm
Latime	510,00 mm
Comanda	Electromecanică
Type	INDEPENDENT-GAS-HOB
Tensiune	220-240V
Numar arzatoare	5
Gratare	Fonta
Adancime	57,00 mm
Tip butoane	Maris Dror
Putere (W)	1x Double Crown Ø 125mm 3500W - 1x Rapid Ø 100mm 2500W - 2x Semi Rapid Ø 75mm 1750W - 1x Auxiliary Ø 55mm 1000W
Dispozitiv de siguranta	Da
Adancime decupaj	40,00 mm

FUNCTII

	Dubla coroana		Aprindere electronica integrata in buton
	Gratare din fonta		Dispozitiv de siguranta

Sticla albă | 106.0541.753

FAMILY : Plite | SERIE : Maris Free by Dror | FINISH : Sticla albă | MODEL : FHM 755 4G DC C WH | INSTALLATION TYPE : Incorporabil

PRODUSE RECOMANDATE



112.0530.322



112.0530.324
